



# SHAANXI SHINHOM ENTERPRISE CO.,LTD

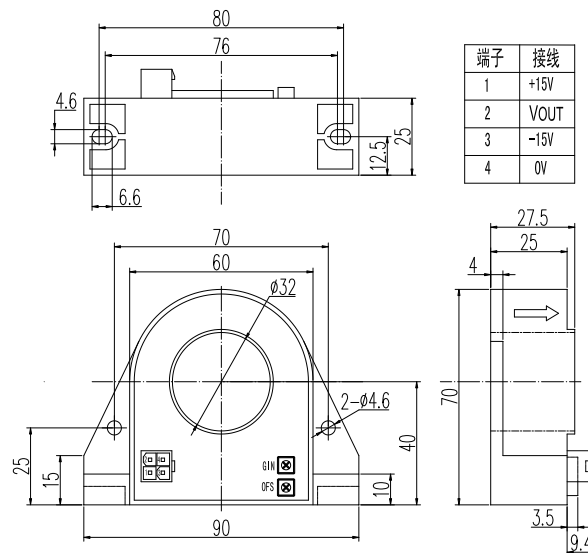
## HKC1000SML Series Hall Effect Current Sensor

HKC1000SML series current sensor is an open loop device based on the measuring principle of the Hall Effect, with a galvanic isolation between primary and secondary circuit. It provides accurate electronic measurement of DC, AC currents.

### ELECTRICAL DATA(25°C)

	HKC1000SML	
Rated input current(IPN)	1000	A
Current range(IPM)	±1200	A
Rated output voltage(VOUT)	10±1%	V
Supply voltage(VC)	±15±5%	V
Current consumption	<±25	mA
Zero offset Voltage	20±1%	mV
Magnetic dissonance voltage	≤±25	mV
Offset Voltage drift	≤±1	mV /°C
Linearity	≤±1	%FS
Response Time	<5	μS
Insulation voltage(50HZ,1min)	3.0	KV
Operating Temperature	-20~+70	°C
Storage Temperature	-40~+105	°C
Band width (-3dB)	DC ~ 20K	Hz
Load resistance	≥10K	Ω

### MUTING DIMENSIONS



### NOTES

1. When the current will be measured goes through a sensor, the voltage will be measured at the output end. (Note: The false wiring may result in the damage of the sensor).
2. The output amplitude of the sensor can be adjusted according to users' requirements.
3. Custom design in the nominal input current and the output voltage available.