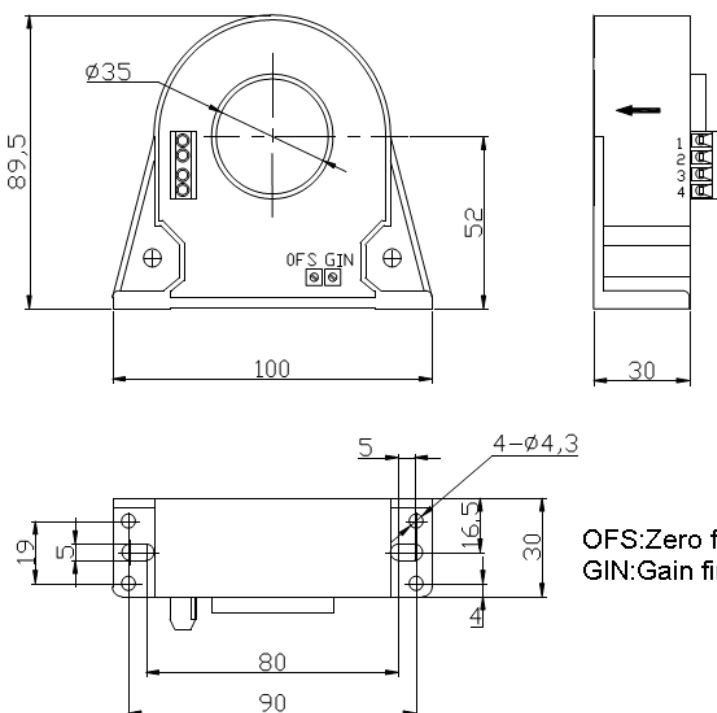


## CURRENT TRANSDUCER HBC-30AS-A1

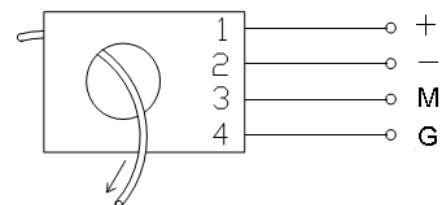
**Performance parameter:** current transducer: rated current 30A(DC), is able to isolate and measure the AC current and impulse current, output 4...20mA DC standard signal.

	Type	HBC-30AS-A1
IN	Rated current(DC)	30A
Ip	Measuring range(DC)	0~36A
RM	Measuring resistance	<300 ohms
IM	Output current	Rated output current 4...20mA(DC), corresponding to the primary current 0... IN
KN	Ratio	---
X	Accuracy (Ta=+25°C)	±1.0% of IN
Vc	supply voltage	± 12V...15VDC
Vi	Isolation voltage	Between the primary and secondary:6KV RMS/50HZ/1 minutes
Ioff	Offset current	When the primary current IN=0, Max:4mA± 0.2mA (Ta=+25°C)
Td	Temperature drift	0.05%/°C of IM (Ta=-40°C~+85°C)
L	Linearity	<0.5%
T <sub>r</sub>	Response time	<0.35S
	di/dt	---
f	Frequency range	DC
Ta	Operating temperature	-25°C~+85°C
Ts	Storage temperature	-40°C~+90°C
Ic	Power consumption	30mA+ IM
Rs	Secondary resistance	---
R <sub>N</sub>	Primary resistance	---
W	Weight	360g

### Dimensions (mm):



### Circuit connection diagram:



I<sub>N</sub> Measured current

Terminal description:

- 1: Power supply(+)
- 2: Power supply(-)
- 3: Output
- 4: Gnd

